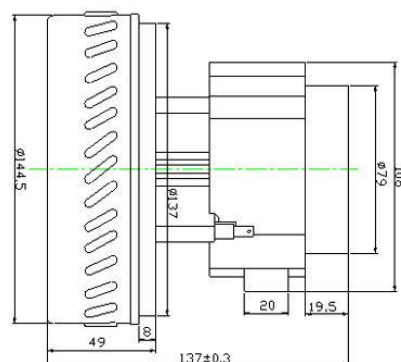
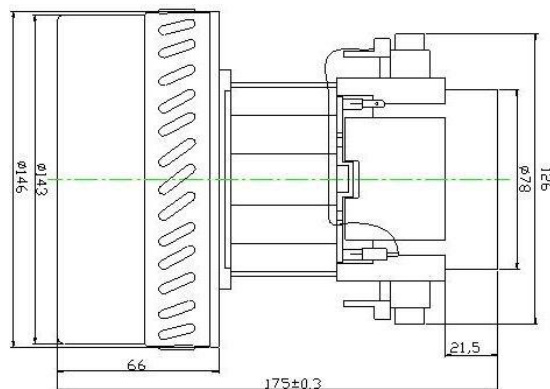


TW-145146 Vacuum Cleaner Motor

OUTPUT POWER:800~1400 W (APPROX)



Specification	Model	TW-145			TW-145			Tolerance Value
	Voltage(V)	220 230 240 100 110 120			220 230 240 100 110 120			/
	Frequency(Hz)	50/60			50/60			/
	Input (W)	1100			1200			±10%
	Max Vacuum Degree(KPa)	18			19			-5%
	Max Air Quantity(m3/min)	3.1			3.2			-8%
	Temp.Rise(K)	<85			<85			/
	Noisy(dB)	98			100			/
	Sparkle Grade	<2 Level			<2 Level			/
	Insulation Grade	B			B			/
	Max Eff.(%)	33			33			-10%



Specification	Model	TW-146			TW-146			Tolerance Value
	Voltage(V)	220 230 240 100 110 120			220 230 240 100 110 120			/
	Frequency(Hz)	50/60			50/60			/
	Input (W)	1200			1400			±10%
	Max Vacuum Degree(KPa)	22			23			-5%
	Max Air Quantity(m3/min)	3.1			3.15			-8%
	Temp.Rise(K)	<85			<85			/
	Noisy(dB)	96			98			/
	Sparkle Grade	<2 Level			<2 Level			/
	Insulation Grade	F			F			/
	Max Eff.(%)	35			35			-10%